

INSTALLED & PORTABLE POWER DISTRIBUTION CATALOG



INSTALL



TOURING



SLAM Solutions
Atención en español para todo Latinoamérica
Assistência em Português para o Brasil
www.corpslam.com informes@corpslam.com
WhatsApp +52 55 5416 0517



Quality. Innovation. Durability.

Lex Products is a leading North American manufacturer of innovative power distribution and energy storage systems for demanding markets, including entertainment, industrial and the military. Founded in 1989, the company specializes in products designed to withstand rough use and harsh environments. Headquartered in Connecticut, the company also has offices in California, Florida and Scotland.

An industry pioneer in innovative power distribution applications, Lex Products introduced the use of rubber enclosures for power distribution boxes to North America. The company also instituted new molding technologies and applications for cable assemblies, enabling the development of products of unprecedented durability.

All products are subjected to rigorous testing and designed to meet and exceed the strictest safety codes. Lex Products manufactures a full range of portable and permanent power distribution solutions, including:

- PowerHOUSE™ Portable Distribution Boxes
- PowerPLUS™ Installed Distribution Boxes
- PowerFLEX™ Cable Assemblies
- PowerGATE® Power Switches and Input Panels
- PowerRACK™ Portable Rolling Power Distribution
- PowerRAMP® Cable Protectors
- Smart Power Energy Storage Systems

Lex Products can also develop comprehensive custom solutions to meet specific power distribution requirements.

To learn more about Lex Products, please visit www.lexproducts.com.

Table of Contents

Smart Power

Voltstack® Energy Storage Systems

Voltstack® 5k	5
Voltstack® 30k.....	6

Installed Power Solutions

PowerGATE™ / PowerPlus™

Company Switch	7-8
----------------------	-----

Rolling Distribution Racks

PowerRACK™

Rolling Distribution Racks.....	9
Enclosed Rack Mount Distribution.....	10
Panel to Plug Diagram.....	11

Portable Power Distribution Boxes

PowerHOUSE™

20 Amp Quad Box with powerCON® Input or powerCON True1 Input.....	12
20 Amp "Break Out Box" to powerCON® Connectors, Feed Thru	13
30 Amp Three-Phase Bento Box® to (6) 20 Amp Circuit, Feed Thru	14
100 Amp Three-Phase Pagoda to (15) Duplex Receptacles...	15
200 Amp Pagoda with Tail Input to LSC19 Receptacles	16
Load Master® Series	17
400 Amp Three-Phase Cam-Type 'Spider' Box	18

Cable Assemblies and Extensions

PowerFLEX™

Feeder Cable, Adapters and Splitter.....	19
EverGrip® LSC19 Cable Extensions	20
EverGrip® Break-Ins and Break-Outs	21
Extension Cords.....	22
E-String™.....	23
powerCON® Cable Assemblies.....	24-25
EverGrip® Molded Quarter Turn and Socapex Motor Control Cables	26
Stage Pin Extensions	27
Extensions/Adapters	28
Data Cable	29
Audio Cables	30

Cable Protectors

PowerRAMP®

Cable Crossovers, 45° Left and Right Turn Units and End Boots.....	31
PowerRAMP® CableGuard™ Single Channel Cable Covers	32

Cable Repair and Retrofit Services

Lex Products EverGrip® Cable Retrofit Service Program	33
Lex Products Cable Repair Service Program.....	34
Lex Products Cable Labeling Services	35

INTRODUCING VOLTSTACK®



The Voltstack® Energy Storage Systems make clean, quiet, off-grid portable power available to remote locations through industry-standard connections





Voltstack® 5k Entertainment Energy Storage System

Power Storage and Distribution Touring Rack

Smart Power™
Energy Storage Systems



Catalog Number:
ESS005A3-22CC3IA-22CC2IB

Description:

Voltstack® 5k is the trailblazing energy storage system that reigns supreme in the realm of silent, emission-free, off-grid portable power. With its cutting-edge technology and sleek design, the Voltstack® 5k stands tall as an industry leader. This powerhouse of a portable battery energy storage system effortlessly handles the power needs of temporary projects of almost any scale in an outdoor-rated enclosure.

Typical Application:

Storing energy provided by utility, portable or solar sources, this portable system delivers silent, exhaust-free power to challenging locations that are away from typical and adequate power sources. Onboard battery cells may be recharged four thousand times to provide years of service. Also available in non-standard configurations, these outdoor-rated units have limited moving parts to minimize maintenance costs.

Where Used:

Live Event, Motion Picture, TV/Film Production, Convention Centers, Rentals



Specifications & Ordering Information

Catalog Number	ESS005A3-22CC3IA-22CC2IB
Storage Rating	Voltstack® 5k - 6.90kWh (Kilowatt Hours)
Storage Cell	Lithium Ion (LiFePO ₄) Battery
Charging Ports	(2) NEMA 5-15 Panel Mount Inlets; (3) Sunstack Solar Panel Mount Inlets
Charging Time	Anywhere from 2-6 hours based on power supply type and ampacity
Outputs	(2) NEMA 5-20 Duplex Receptacles; (2) Type-A USB Receptacles
Rated Output	Continuous: 4,800K; Peak (3 Secs.): 5,800W
User Interface	NeuronOS™ Enabled Wireless Monitoring Platform
Overcurrent Protection	Built-in over-charge / over-discharge protection against short circuit overload and over-temp
Dimensions / Weight	2.50' H x 2.00' W x 2.67' D (75.00 cm H x 60.00 cm W x 81.00 cm D) / 310lbs. (141.00 kg)



Voltstack® 30k Entertainment Energy Storage System

Smart Power™
Energy Storage Systems

Power Storage and Distribution Touring Rack



Typical Application:

Storing energy provided by utility, portable or solar sources, this portable system delivers silent, exhaust-free power to challenging locations that are away from typical and adequate power sources. Onboard battery cells may be recharged four thousand times to provide years of service. Also available in non-standard configurations, these outdoor-rated units have limited moving parts to minimize maintenance costs.

Where Used:

Live Event, Motion Picture, TV/Film Production, Convention Centers, Rentals

Catalog Number:

ESS030B3-41AJ1DW-62AJ4CD

(Add "T" after part number for optional trailer)

Description:

Voltstack® 30k is the trailblazing energy storage system that reigns supreme in the realm of silent, emission-free, off-grid portable power. With its cutting-edge technology and sleek design, the Voltstack® 30k stands tall as an industry leader. This powerhouse of a portable battery energy storage system effortlessly handles the power needs of temporary projects of almost any scale.



Specifications & Ordering Information

Catalog Number	ESS030B3-41AJ1DW-62AJ4CD
Storage Rating	Voltstack® 30k - 80.0kWh (Kilowatt Hours)
Storage Cell	Lithium Ion (LiFePO ₄) Battery
Charging Ports	(1) NEMA 5-15 Panel Mount Inlets; (6) Sunstack Solar Panel Mount Inlets
Charging Time	Anywhere from 3.5-12 hours based on power supply type and ampacity
Outputs	(2) sets of (5) 16 Series 75 Amp Panel Mount Receptacles; (4) NEMA 5-20 GCFI Panel Mount Receptacles
Rated Output	Continuous: 33kVA; Maximum Surge Rating 41kVA (15 Secs.)
User Interface	NeuronOS™ Enabled Wireless Monitoring Platform
Overcurrent Protection	Built-in over-charge / over-discharge protection against short circuit overload and over-temp
Dimensions / Weight	5.00' H x 4.00' W x 6.75' D (152.4 cm H x 121.92 cm W x 205.74 cm D) / 4,850lbs. (2,200.00 kg)



Company Switch

Patented, UL Listed Access for Temporary Power

PowerGATE®
Switches & Panels



TYPE 1 Indoor or
TYPE 3R

US Patent
Numbers 7,136,278
& 7,254,009

Catalog Number:

See Ordering Information tables on page 8

Description:

The patented Lex Products PowerGATE™ Company Switch provides a safe and convenient means of supplying access to temporary power. The space saving, metal enclosure provides both lug style as well as IEC 60309 pin & sleeve or 16 Series Cam-Type outputs and is available in both beige and black finishes. Connections are protected by a 100% rated electronic trip main breaker. Company Switches with Cam-Type connections are available in 100, 200 and 400 Amp ratings, with NEMA 1 and NEMA 3R rated enclosures and are cULus Listed. Company Switches with pin & sleeve connections are available in 60 and 100 Amp ratings, in a NEMA 1 rated enclosure and are cULus Listed.

Applications:

- Theaters
- Convention Centers
- Studios
- Theme Parks
- Recreational Facilities

Features & Benefits:

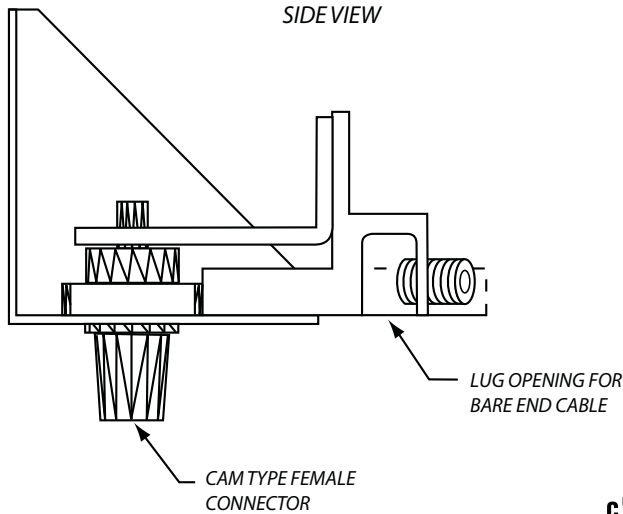
- PowerGATE™ Company Switch design accommodates both Cam-Type or IEC 60309 pin & sleeve and lug outputs in one wiring chamber, resulting in a compact design
- Circuit breaker rated at 65,000 AIC (Amps Interrupting Capacity) to exceed requirements for installed dimmers
- Units feature an electronic trip circuit breaker that is 100% rated, enabling continuous operation at maximum capacity
- For enhanced safety, the access door to Cam-Type or IEC 60309 pin & sleeve and lug connections is interlocked to the main breaker, which means the breaker can only be turned on when the access door is closed
- Power shuts off automatically when the access door is opened, eliminating the ability to make or break a connection under load
- Unique arrangement of both Cam-Type or IEC 60309 pin & sleeve and lug terminations enables both sets of cable to drape downward for lower profile when mounted against a wall
- Both Cam-Type or IEC 60309 pin & sleeve and lug connections are behind the access door, helping to eliminate accidental disconnection, unauthorized access and/or tampering with connections
- Circuit breakers and connection chamber housed behind gasketed door
- Circuit breaker door allows for lockout/tagout and restricted access as needed
- NEMA 3R Weather Resistant version available with Cam-Type connections
- The chassis ground can be isolated from the main ground for sensitive audio applications



Company Switch

Patented, UL Listed Access for Temporary Power

PowerGATE®
Switches & Panels



Ordering Information

	400 AMP	200 AMP	100 AMP
Catalog Number (NEMA 1 Indoor)	CS-400F-C6DS1 CS-400F-C6DB1 (reverse ground neutral)	CS-200F-C6DS1 CS-200F-C6DB1 (reverse ground neutral)	CS-100F-C6DS1 CS-100F-C6DB1 (reverse ground neutral)
Catalog Number (NEMA 3R Weather Resistant)	CS-400F-C6DS3 CS-400F-C6DB3 (reverse ground neutral)	CS-200F-C6DS3 CS-200F-C6DB3 (reverse ground neutral)	CS-100F-C6DS3 CS-100F-C6DB3 (reverse ground neutral)
Rating	400 Amp, Three-Phase, 120/208Y VAC	200 Amp, Three-Phase, 120/208Y VAC	100 Amp, Three-Phase, 120/208Y VAC
Overcurrent Protection	65,000 AIC Main Breaker 100% Rated	65,000 AIC Main Breaker 100% Rated	65,000 AIC Main Breaker 100% Rated
Output	(6) 16 Series Cam-Type devices: Black - Hot Blue - Hot Red - Hot (2) White - Neutral Green - Ground	(6) 16 Series Cam-Type devices: Black - Hot Blue - Hot Red - Hot (2) White - Neutral Green - Ground	(6) 16 Series Cam-Type devices: Black - Hot Blue - Hot Red - Hot (2) White - Neutral Green - Ground
Cabinet Finish Color	Beige or matte black powder coat For black finish, add suffix "-BLK" to catalog number	Beige or matte black powder coat For black finish, add suffix "-BLK" to catalog number	Beige or matte black powder coat For black finish, add suffix "-BLK" to catalog number
Dimensions	45.22" H x 20.28" W x 9.33" D	37" H x 20.28" W x 9.33" D	37" H x 20.28" W x 9.33" D
Approximate Weight	130 lbs.	123 lbs.	123 lbs.

NOTES: For 5-Wire, replace 6 with 5 in catalog number



Rolling Distribution Racks

PowerRACK™ Rolling Distribution Racks



Catalog Number:
PRMM18Q-2MR8U-X-LV-RB

Description:
"Presidential" Rack, 400 Amp PowerRACK with (48) 120 VAC or 208 VAC Circuits and Metering

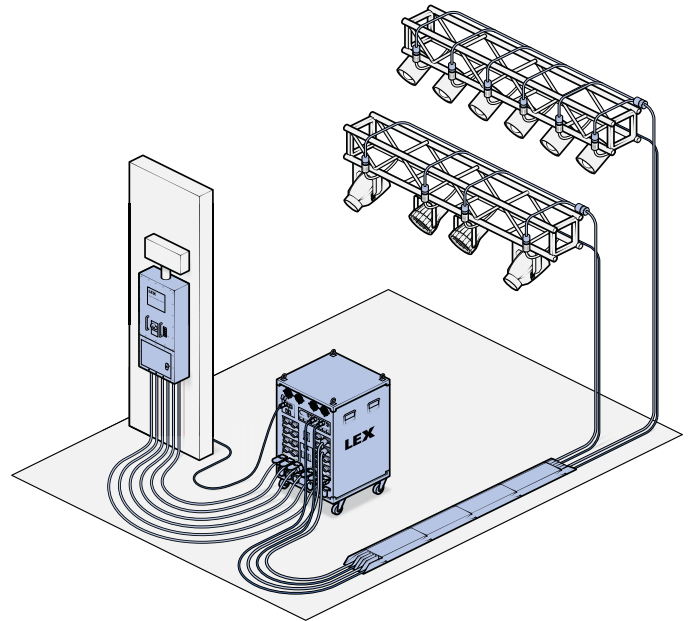
Features and Benefits:

- Extruded aluminum frames combined with high density polyethylene (HDPE) enclosure panels create lightweight yet remarkably strong and extremely durable rack enclosures
- Front and back rack doors have "snap-in" latches for ease of access
- All rack hardware is recessed on HDPE panels to protect from breakage and there are no exposed latches when doors are removed
- All 19" rack panels are laser engraved for clear and concise identification
- 100% rated, electronic main and magnetic branch circuit breakers eliminates worry of thermal tripping
- LED power indicators, including discrete six (6) circuit arrays for multipin receptacles, provide clear live circuit identification



Catalog Number:
PRMK12D-MR4U-2LV-RB

Description:
"Viceroy" Rack, 200 Amp PowerRACK with (24) 120 VAC or 208 VAC Circuits and Metering



See our PowerRACK™ Brochure for our selection of standard rack products.
Custom rack solutions also available upon request.



Enclosed Rack Mount Power Distribution

PowerRACK™
Rolling Distribution Racks

Catalog Number:

PRMxxx-yyy (varied depending on configuration)

Description:

Lex Products' PowerRACK™ Enclosed Rack Mount Power Distribution modules allow convenience receptacles to be added to standard EIA (Electronics Industries Alliance) 19-inch permanent or portable racks. Modules are ETL Listed to UL Standards and are available in 1, 2 and 3 rack unit heights.

Nineteen different configurations offer many input and output options, and make the modules exceptionally flexible for shifting power requirements. Typical applications include powering audio and lighting equipment.



Applications:

- Audio
- Concerts
- Live Events
- Motion Picture and Television Production
- Theatrical

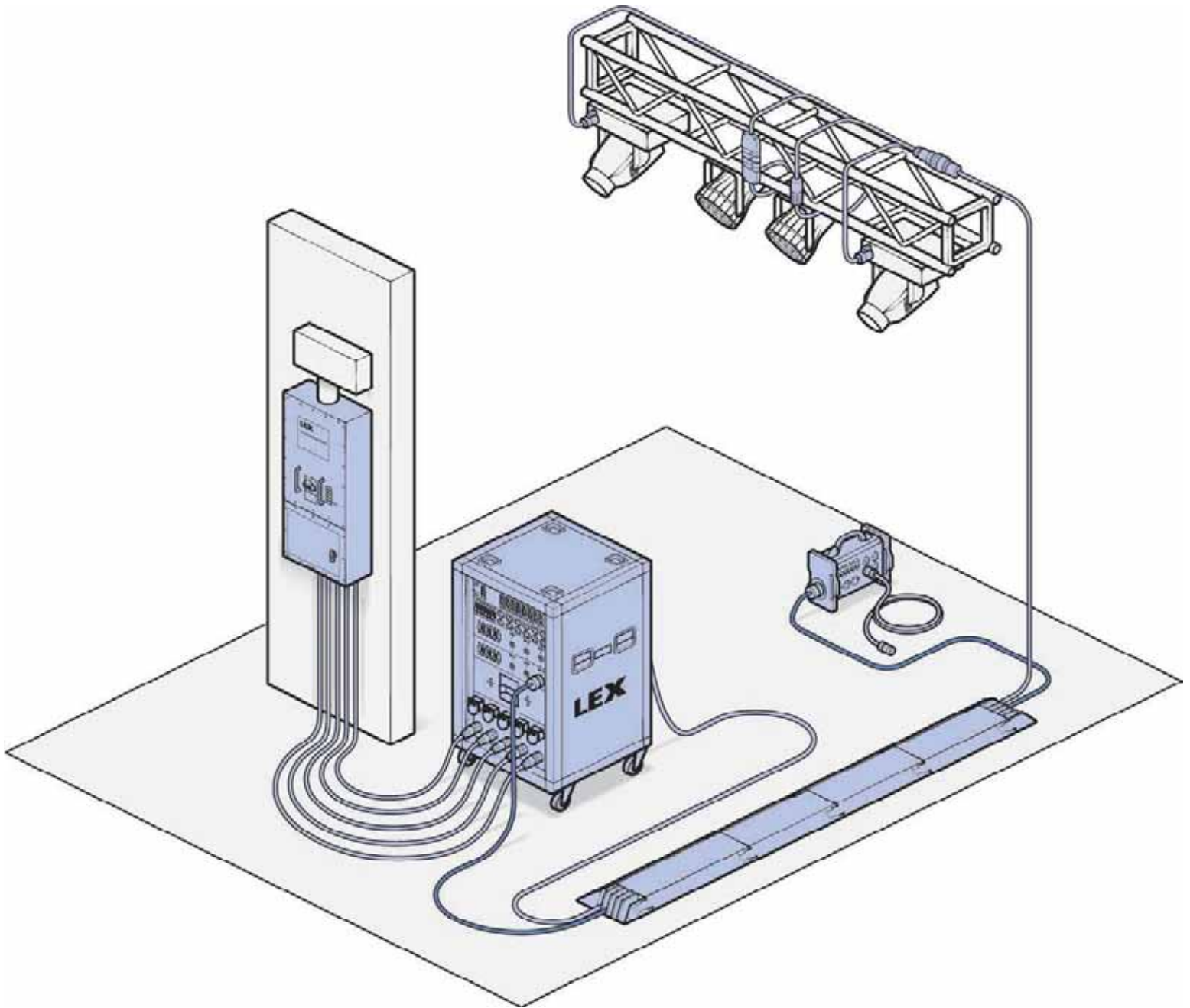
Features & Benefits

- Product range includes a variety of connectors to meet the changing needs of entertainment venues, including Neutrik powerCONS® for the growing use of LED lights
- ETL Listed for US and Canada, tested to UL Standards
- Aluminum construction with anodized finish is lightweight for portability and durability, while ensuring years of service
- Modules are fully enclosed for easy handling and installation
- Indicator lights and laser etched labels enable easy circuit identification
- Suitable for Lex Products' PowerRACK™ Rolling Distribution Racks or any standard 19" rack, permanent or portable

See our PowerRACK™ Brochure for our selection of standard rack products.

Custom rack solutions also available upon request.

FROM PANEL TO PLUG...





20 Amp Quad Box with powerCON® Input to Edisons, Feed Thru



DB20T1-SBPC



DB20PC-SBPC
(with Optional Extensions)



DB20T1-SBPC-TI
(with Optional C-Clamp)

Catalog Number:
DB20PC-SBPC / DB20T1-SBPC*

Description:
20 Amp, Single-Phase, 2-Pole, 3-Wire, 120 VAC, Quad Box Enclosure, powerCON® inlet (or powerCON® TRUE1 inlet) to (2) NEMA 5-20, 20 Amp duplex receptacles, Feed Thru, NEMA 1 Indoor

Application:
This extremely versatile box is used for placing convenience receptacles exactly where they are needed. This box enables the user to create receptacle stringers using extensions of various lengths.

- Features & Benefits:**
- Heavy-duty molded rubber enclosure is fully insulated and resistant to shock, impact and corrosion
 - Compact and convenient way to place 20 Amp duplex receptacles where they are needed
 - Feed thru option allows multiple boxes to be placed along the same feed

* Add "-TI" after part number for optional threaded insert

Specifications & Ordering Information	
Catalog Number	DB20PC-SBPC/ DB20T1-SBPC*
Rating	20 Amp, Single-Phase (H,N,G), 2-Pole, 3-Wire, 120 VAC
Environmental Rating	NEMA 1 Indoor
Input	(1) 20 Amp, 2-Pole, 3-Wire, 120 VAC, powerCON® inlet
Output	(2) NEMA 5-20, 20 Amp, 2-Pole, 3-Wire, 120 VAC duplex receptacles
Feed Thru	(1) 20 Amp, 2-Pole, 3-Wire, 120 VAC, powerCON® outlet
Overcurrent Protection	None
Enclosure Type	Quad Box
Dimensions	4.7"L x 2.5"W x 4.2"H
Approximate Weight	1.5 lbs. (add 2.0 lbs. with threaded insert and clamp)

Custom configurations and interconnecting cable assemblies are available.

20 Amp "Break Out Box" to powerCON® Connectors, Feed Thru

Bento Box®

PowerHOUSE™

Portable Distribution Boxes



Application:

Breaks an industry standard 6-circuit lighting cable into 20 Amp powerCON® connections for powering LED lights. The feed thru feature allows multiple boxes to be placed along the same feed.

Features & Benefits:

- Provides power for LED lights that use powerCON® plugs
- Optional model available that enables easy vertical or horizontal mounting with C-clamp (see page 28 for details)
- Heavy-duty extruded engineered thermoplastic enclosure is electrically insulated and resistant to shock, impact and corrosion
- Feed thru feature allows multiple boxes to be placed along the same feed
- End plate grips for easy handling in tight spaces, and collapsible handle available on standard model
- Stackable and compact for easy storage

Catalog Number:

BNZJ2-6M - Top Image

BNZJ2-6M-CLP - Bottom Image (shown with optional c-clamp)

Description:

20 Amps per circuit, 6-circuit, Break Out Box, Bento Enclosure, LSC19 male panel mount to (6) 20 Amp powerCON® Connectors, Feed Thru, NEMA 1 Indoor. Additional model available with mounting holes on a metal handle and on the back to allow vertical or horizontal mounting on a truss or pole.

Other models available



Specifications & Ordering Information

Catalog Number	BNZJ2-6M
Rating	20 Amp, 6-circuit, 120 VAC
Environmental Rating	NEMA 1 Indoor
Input	(1) 20 Amps per circuit, 6-circuit, 120 VAC, LSC19 male panel mount
Output	(6) 20 Amp powerCON® receptacles
Feed Thru	(1) 20 Amps per circuit, 6-circuit, 120 VAC, LSC19 female panel mount receptacle
Overcurrent Protection	None
Enclosure Type	Bento
Dimensions	11.5"L x 5.9"W x 7.6"H
Approximate Weight	6 lbs.

Custom configurations and interconnecting cable assemblies are available.



30 Amp Three-Phase Bento Box[®] to (6) 20 Amp Circuits, Feed Thru

Bento Box[®]

PowerHOUSE™

Portable Distribution Boxes



Catalog Number:

BNB2-3B

Description:

30 Amp, Three-Phase, 4-Pole, 5-Wire, 120/208Y VAC, Bento Enclosure, NEMA L21-30, 30 Amp inlet to (3) NEMA 5-20, 20 Amp color-coded duplex receptacles split wired for (6) 20 Amp circuits, Feed Thru, NEMA 1 Indoor

Application:

Fed from 30 Amp power, this compact unit provides 20 Amp duplex receptacles for lights, effects, audio equipment and tools for a wide range of applications. The feed thru feature allows multiple boxes to be placed along the same feed.

Features & Benefits:

- Hydraulic magnetic breakers help prevent nuisance tripping at higher temperatures
- Stackable and compact for easy storage
- Heavy-duty extruded engineered thermoplastic enclosure is electrically insulated and resistant to shock, impact and corrosion
- Circuit breakers are mounted flush for easy access and numbered for easy circuit identification
- Collapsible handle and end plate grips for easy handling in tight spaces
- Feed thru feature allows multiple boxes to be placed along the same feed

Specifications & Ordering Information

Catalog Number	BNB2-3B
Rating	30 Amp, Three-Phase (H,H,H,N,G), 4-Pole, 5-Wire, 120/208Y VAC
Environmental Rating	NEMA 1 Indoor
Input	(1) NEMA L21-30, 30 Amp, Three-Phase, 4-Pole, 5-Wire, 120/208Y VAC inlet
Output	(3) NEMA 5-20, 20 Amp, Single-Phase, 2-Pole, 3-Wire, 120 VAC color-coded duplex receptacles split wired for (6) 20 Amp circuits
Feed Thru	(1) NEMA L21-30, 30 Amp, Three-Phase, 4-Pole, 5-Wire 120/208Y VAC receptacle
Overcurrent Protection	(6) 20 Amp hydraulic magnetic branch-rated circuit breakers
Enclosure Type	Bento
Dimensions	11.5"L x 5.9"W x 7.6"H
Approximate Weight	6.5 lbs.

Custom configurations and interconnecting cable assemblies are available.



Pagoda, 100 Amp Three-Phase to (15) Duplex Receptacles

"1520 Box"

PowerHOUSE™

Portable Distribution Boxes



Application:

This PowerHOUSE™ Pagoda portable distribution box is extremely versatile and can be fed from a generator or panel. Rated for indoor use, this box can accept up to (30) NEMA 5-20, 20 Amp Edison cords (24 on GFCI version) to power portable power tools, computers, vending machines and sound systems.

Catalog Number:

DB100A-A401520 - (15) Duplex Receptacles, Indoor Rated
DB100NP-ABB-S3 - (15) Duplex Receptacles, Outdoor Rated
DB100NP-AQQ-S3 - (12) GFCI Receptacles, Outdoor Rated

Description:

100 Amp, Three-Phase, 4-Pole, 5-Wire, 120/208Y VAC, Pagoda Enclosure, (1) set of (5) 16 Series Cam-Type color-coded panel mount inlets to (15) NEMA 5-20, 20 Amp duplex receptacles, NEMA 1 Indoor or NEMA 3R Weather Resistant. Weather resistant version available with (12) GFCI duplex receptacles.

Features & Benefits:

- Heavy-duty molded rubber enclosure is fully insulated and resistant to shock, impact and corrosion
- Circuit breakers are mounted under hinged lid for enhanced protection
- Stackable and compact for easy storage and convenient portability
- Elevated base keeps receptacles above ground level

Specifications & Ordering Information	
Catalog Number	DB100A-A401520
Rating	100 Amp, Three-Phase (H,H,H,N,G), 4-Pole, 5-Wire, 120/208Y VAC
Agency Listing	cULus Listed TYPE 1 Indoor
Environmental Rating	NEMA 1 Indoor
Input	(1) set of (5) 16 Series Cam-Type color-coded panel mount inlets
Output	(15) NEMA 5-20, 20 Amp, 2-Pole, 3-Wire, 120 VAC duplex receptacles
Feed Thru	None
Overcurrent Protection	(15) 20 Amp, Single-Pole branch-rated circuit breakers
Enclosure Type	Pagoda
Dimensions	14.25"L x 14.25"W x 14.15"H
Approximate Weight	32 lbs.

Custom configurations and interconnecting cable assemblies are available.



200 Amp Pagoda with Tail Input to LSC19 Receptacles

PowerHOUSE™
Portable Distribution Boxes



208V and
120V & 208V
versions
available



Catalog Number:
DBS200-A4BM2

Description:

200 Amp, Three-Phase, 4-Pole, 5-Wire, 120/208Y VAC, Pagoda Jr. Enclosure, (1) set of (5) 16 Series Cam-Type color-coded plugs on 18-inch 2/0 AWG type SC tails (available in reverse ground and neutral configuration) to (4) 20 Amps per circuit, 6-circuit, LSC19 female panel mount receptacles and (3) NEMA 5-20, 20 Amp duplex receptacles, NEMA 1 Indoor

Application:

This box provides power distribution for film or video productions and powers 10K or 12K lighting fixtures. It also provides convenience power from NEMA 5-20 duplex receptacles.

Features & Benefits:

- Provides 100 Amp Stage Pin receptacles for powering lights and duplex receptacles for convenience power
- Heavy-duty molded rubber enclosure is fully insulated and resistant to shock, impact and corrosion
- Circuit breakers are mounted under hinged lid for enhanced protection
- Stackable and compact for easy storage and convenient portability
- Elevated base keeps receptacles above ground level
- Reverse neutral and ground options help prevent mis-mating for enhanced safety

Specifications & Ordering Information

Catalog Number	DBS200-A4BM2	DBS200-A4BM2-RGN
Rating	200 Amp, Three-Phase (H,H,H,N,G), 4-Pole, 5-Wire, 120/208Y VAC	200 Amp, Three-Phase (H,H,H, Reverse N, Reverse G), 4-Pole, 5-Wire, 120/208Y VAC
Environmental Rating	NEMA 1 Indoor	NEMA 1 Indoor
Input	(1) set of (5) 16 Series Cam-Type color-coded plugs on 18 inch 2/0 AWG type SC tails	(1) set of (5) 16 Series Cam-Type color-coded plugs on 18 inch 2/0 AWG type SC tails with reverse ground and neutral
Output	(4) 20 Amps per circuit, 6-circuit, 120 VAC, LSC19 panel mount receptacles (3) NEMA 5-20, 20 Amp, 2-Pole, 3-Wire, 120 VAC, duplex receptacles	(4) 20 Amps per circuit, 6-circuit, 120 VAC, LSC19 panel mount receptacles (3) NEMA 5-20, 20 Amp, 2-Pole, 3-Wire, 120 VAC, duplex receptacles
Feed Thru	None	None
Overcurrent Protection	(27) 20 Amp, Single-Pole branch-rated circuit breakers	(27) 20 Amp, Single-Pole branch-rated circuit breakers
Enclosure Type	Pagoda	Pagoda
Dimensions	14.25"L x 14.25"W x 14.15"H	14.25"L x 14.25"W x 14.15"H
Approximate Weight	39 lbs.	39 lbs.

Custom configurations and interconnecting cable assemblies are available.



Load Master® Series

Adjustable Breaker Box

PowerHOUSE™

Portable Distribution Boxes



Description:

160-400 Amp or 100-250 Amp Variable Output Box, Three-Phase, 4-Pole, 5-Wire, 120/208 VAC, Pagoda Enclosure, (1) set of (5) 16 Series Cam-Type color-coded panel mount inlets to (1) set of (5) 16 Series Cam-Type color-coded panel mount outlets and (1) NEMA 5-20, 20 Amp duplex receptacle, NEMA 3R Weather Resistant

Application:

Provides overcurrent protection and a main disconnect for portable power distribution systems. The current trip setting is adjustable allowing it to protect a variety of systems with different cable sizes.

Features & Benefits:

- Adjustable trip setting allows the box to protect a variety of systems with different cable sizes
- Adjustable electronic breakers will not nuisance trip under high ambient temperatures
- Heavy-duty molded rubber enclosure is fully insulated and resistant to shock, impact and corrosion
- Circuit breakers are mounted under hinged lid for enhanced protection
- Stackable and compact for easy storage and convenient portability
- Elevated base keeps receptacles above ground level

Specifications & Ordering Information

Catalog Number	DB400LP-AW-S3	DB250LP-AWB-S3
Rating	160-400 Amp variable output, Three-Phase (H,H,H,N,G), 4-Pole, 5-Wire, 120/208Y VAC	100-250 Amp variable output, Three-Phase (H,H,H,N,G), 4-Pole, 5-Wire, 120/208Y VAC
Environmental Rating	NEMA 3R Weather Resistant	NEMA 3R Weather Resistant
Input	(1) Set of (5) 16 Series Cam-Type color-coded panel mount inlets	(1) Set of (5) 16 Series Cam-Type color-coded panel mount inlets
Output	(1) Set of (5) 16 Series Cam-Type color-coded panel mount outlets with variable output	(1) Set of (5) 16 Series Cam-Type color-coded panel mount outlets with variable output (1) NEMA 5-20, 20 Amp, 2-Pole, 3-Wire, 120 VAC duplex receptacle
Feed Thru	None	None
Overcurrent Protection	(1) 400 Amp adjustable electronic breaker, 160 Amp - 400 Amp	(1) 250 Amp adjustable electronic breaker 100 Amp - 250 Amp (1) 20 Amp, Single-Pole, 120/240 VAC branch-rated circuit breaker
Enclosure	Pagoda	Pagoda
Dimensions	14.25"L x 14.25"W x 14.15"H	14.25"L x 14.25"W x 14.15"H
Approximate Weight	44 lbs.	44 lbs.

Available in 480 VAC and 600 VAC versions. Convenience outlets available upon request. Contact a Lex Products sales representative.

Custom configurations and interconnecting cable assemblies are available.

400 Amp Three-Phase Cam-Type Splitter Box

"Spider Box"

PowerHOUSE™

Portable Distribution Boxes



Catalog Number:
DB400BP-WWW-S3

Description:

400 Amp, Three-Phase, 4-Pole, 5-Wire, 120/208Y VAC, Turtle Enclosure, (1) set of (5) 16 Series Cam-Type color-coded panel mount inlets to (5) sets of (5) 16 Series Cam-Type color-coded panel mount outlets, NEMA 1 Indoor

Application:

This box is fed by a generator or panel and splits off five separate sets of 5-wire Cam-Type receptacles. It allows multiple film shoots to be set up which enables it to power the individual shoots on an as-needed basis throughout the day. The runs are not used simultaneously and there is no overcurrent protection.

Features & Benefits:

- High-density polyethylene (HDPE) top, bottom and sides provide superior impact, weather and shock resistance
- Safe and expedient means of distributing 400 Amp, Three-Phase Cam-Type cable runs
- Compact for convenient portability

Specifications & Ordering Information

Catalog Number	DB400BP-WWW-S3
Rating	400 Amp, Three-Phase (H,H,H,N,G), 4-Pole, 5-Wire, 120/208Y VAC
Environmental Rating	NEMA 1 Indoor
Input	(1) Set of (5) 16 Series Cam-Type color-coded panel mount inlets
Output	(5) Sets of (5) 16 Series Cam-Type color-coded panel mount outlets
Feed Thru	None
Overcurrent Protection	None
Enclosure Type	Turtle
Dimensions	20.50"L x 11.00"W x 18.00"H
Approximate Weight	56 lbs.

Custom configurations and interconnecting cable assemblies are available.



Cam-Type Extensions

Rating	Male Connector	Cable	Female Connector	Catalog No.
400 Amp, 600 VAC	16 Series Inline	4/0 AWG Type SC	16 Series Inline	FE6000-XXX-Y
200 Amp, 600 VAC	16 Series Inline	2/0 AWG Type W	16 Series Inline	FE500W-XXX-Y
100 Amp, 600 VAC	16 Series Inline	#2 AWG Type SC	16 Series Inline	FE3000-XXX-Y
100 Amp, 600 VAC	(5) 16 Series Inline	#2 AWG Type SC (5) Wire Banded	(5) 16 Series Inline	FB305W-XXX

AVAILABLE IN STOCK LENGTHS FOR IMMEDIATE SHIPMENT

Add suffix to indicate connector color: A=Black B=White C=Red D=Blue E=Green
 XX to specify cable length



Soft Siamese

Rating	Male Connector	Cable	Center Section	Female Connector	Catalog No.
400 Amp, 600 VAC	16 Series Inline	4/0 AWG Type SC	Crimp with molded rubber	(2) 16 Series Inline	SS6000-C-Y
200 Amp, 600 VAC	16 Series Inline	2/0 AWG Type SC	Crimp with molded rubber	(2) 16 Series Inline	SS5000-C-Y
100 Amp, 600 VAC	16 Series Inline	#2 AWG Type SC	Crimp with Y heat shrink boot	(2) 16 Series Inline	SS3000-C-Y

Custom configurations and interconnecting cable assemblies are available.



EverGrip[®] LSC19 Cable Extensions

Molded 6-Circuit Multi-Cable Extensions

PowerFLEX™
Cable Assemblies



Features & Benefits:

- Thermo plastic resin premold creates a bond between the cable and connector for superior strain relief and secure terminations
- Pins and sockets cannot push back, extending life of the connector
- Rugged construction helps prevent broken conductors and loose or damaged ground rings
- Keyed design prevents misalignment of circuit conductors and unmateable or mismatched connections
- Thermoplastic elastomer overmold absorbs impact and provides an insulated and secure gripping surface for easier mating and safe handling
- Multi-cables carry 6-circuits of lighting power inside a single jacket, avoiding 6 individual runs of cable
- Specially formulated thermoplastic rubber jacket provides exceptional flexibility and durability
- Available in 12, 14 and 16 AWG to meet specific requirements
- 14 conductor multi-cable offers two lower weight options when bonded grounds are accepted
- "Tempered spring" female contacts maintain constant pin pressure to help ensure low resistance connections
- Silver-plated brass contacts for high conductivity
- All black design blends into scenery and is ideal for stage or studio lighting applications
- EGME-1214-XX is UL Listed

Rating	Male/Female Connector	Cable	Catalog No.
20 Amp*, 300 VAC Maximum (6-circuit)	Molded Lex 6-circuit	12/18 TPR	EGME-1218-XXX
20 Amp*, 300 VAC Maximum (6-circuit) Ground Conductors Bonded	Molded Lex 6-circuit	12/14 TPR	EGME-1214-XXX
15 Amp*, 300 VAC Maximum (6-circuit) Ground Conductors Bonded	Molded Lex 6-circuit	14/14 TPR	EGME-1414-XXX
5 Amp**, 300 VAC Maximum (6-circuit)	Molded Lex 6-circuit	16/18 TPR	EGME-1618-XXX

+ + Add suffix WP for weatherproof cover on female connector.
XX to specify length.

* Maximum when used with 50% diversity of load (in accordance with table NEC 520-44)
** 5 Amps simultaneously on all circuits

AVAILABLE IN STOCK LENGTHS FOR IMMEDIATE SHIPMENT

Custom configurations are available.



EverGrip® Break-Ins and Break-Outs

Molded 6-Circuit Cable Assemblies

PowerFLEX™
Cable Assemblies



Break-Out male LSC19 to (6) 20 Amp TRUE1



Break-Out male LSC19 to (6) female 15 Amp NEMA 5-15

Features & Benefits:

- Thermoplastic resin premold creates a bond between the cable and connector for superior strain relief and secure terminations
- Pins and sockets cannot push back, extending the life of the connectors
- Rugged construction helps prevent broken conductors and loose or damaged ground rings
- Keyed design prevents misalignment of circuit conductors and not mateable or mismatched connections
- Thermoplastic elastomer overmold absorbs impact and provides an insulated and secure gripping surface for easier mating and safe handling
- Silver-plated brass contacts for high conductivity
- Available with a variety of Edison, Stage Pin or NEMA connectors
- All black design blends into scenery and is ideal for stage or studio lighting applications

Break-In

Rating	Male Connector	Cable	Female Connector	Catalog No.
20 Amp*, 125 VAC	(6) 20 Amp Stage Pins	12/3 SJOW-A, 3"	Molded Lex LSC19	EGBI100-3-SP
20 Amp*, 125 VAC	(6) NEMA 5-15 Edison	12/3 SJOW-A, 3"	Molded Lex LSC19	EGBI100-3-515
20 Amp*, 125 VAC	(6) NEMA L5-20 Locking	12/3 SJOW-A, 3"	Molded Lex LSC19	EGBI100-3-L520
20 Amp*, 125 VAC	(6) NEMA L6-20 Locking	12/3 SJOW-A, 3"	Molded Lex LSC19	EGBI100-3-L620

Break-Out

Rating	Male Connector	Cable	Female Connector	Catalog No.
15 Amp*, 125 VAC	Molded Lex LSC19	12/3 SJOW-A, 6'	(6) NEMA Edison 5-15	EGB0100-6-515
15 Amp*, 125 VAC	Molded Lex LSC19	12/3 SJOW-A	(6) NEMA Edison 5-15, Staggered	EGB0100-STG-515
20 Amp*, 125 VAC	Molded Lex LSC19	12/3 SJOW-A, 6'	(6) 20 Amp Stage Pins	EGB0100-6-SP
20 Amp*, 125 VAC	Molded Lex LSC19	12/3 SJOW-A, 6'	(6) 20 Amp TRUE1	EGB0100-6-TRUE1
20 Amp*, 125 VAC	Molded Lex LSC19	12/3 SJOW-A, 6'	(6) NEMA L5-20 Locking	EGB0100-6-L520
20 Amp*, 125 VAC	Molded Lex LSC19	12/3 SJOW-A, 6'	(6) NEMA L6-20 Locking	EGB0100-6-L620

Add suffix WP for weatherproof cover on female connector. Only available on break-ins.
Custom lengths available. Contact a sales representative.

*Maximum when used with 50% diversity of load (in accordance with table NEC 520-44).

Custom configurations are available.



Extensions

PowerFLEX™
Cable Assemblies



Flat Convention Center Extension Cords

Rating	Length	Gauge	No. of Conductors	Stranding	Male Connector	Female Connector	Catalog No.
15 Amp, 125 VAC	15 ft.	14	3	41/30	5-15P	5-15R	14G15FT
15 Amp, 125 VAC	25 ft.	14	3	41/30	5-15P	5-15R	14G25FT
15 Amp, 125 VAC	50 ft.	14	3	41/30	5-15P	5-15R	14G50FT
15 Amp, 125 VAC	15 ft.	12	3	65/30	5-15P	5-15R	12G15FT
15 Amp, 125 VAC	25 ft.	12	3	65/30	5-15P	5-15R	12G25FT
15 Amp, 125 VAC	50 ft.	12	3	65/30	5-15P	5-15R	12G50FT



NEMA wiring device extensions are made with extra hard usage (S00W-A) or junior hard service (SJ00W-A) cords

- 30 Amp, Three-Phase, 4-Pole, 5-Wire, 120/208 VAC extension (left)
- 15 Amp, Single-Phase, 2-Pole, 3-Wire, 120 VAC straight blade Edison extension (right)

NEMA Extensions

Rating	Male Connector	Cable	Female Connector	NEMA Config.	Catalog No.
30 Amp, Three-Phase, 4-Pole, 5-Wire, 120/208 VAC	HBL2811	10/5 S00W-A	HBL2813	L21-30	PE105-XXX-L2130
20 Amp, Three-Phase, 4-Pole, 5-Wire, 120/208 VAC	HBL2511	12/5 S00W-A	HBL2513	L21-20	PE125-XXX-L2120
15 Amp, Single-Phase, 2-Pole, 3-Wire, 120 VAC	X515P	12/3 S00W-A	X515C	5-15	PE7000-XXX-X515
15 Amp, Single-Phase, 2-Pole, 3-Wire, 120 VAC	X515P	12/3 SJ00W-A	X515C	5-15	PE700J-XXX-X515

Weather Resistant Extensions

30 Amp, Three-Phase, 4-Pole, 5-Wire, 120/208 VAC	28W81	10/5 S00W-A	29W81	L21-30	PE105-XXX-L2130W
20 Amp, Three-Phase, 4-Pole, 5-Wire, 120/208 VAC	26W81	12/5 S00W-A	27W81	L21-20	PE125-XXX-L2120-WG
15 Amp, Single-Phase, 2-Pole, 3-Wire, 120 VAC	14W47	12/3 S00W-A	15W47	5-15	PE123-XX-515W

XX to specify cable length

Custom configurations are available.



E-String™

15 Amp multiple receptacle extension cord

PowerFLEX™
Cable Assemblies

Catalog Number:	Description:
50123B (black)	E-String; 12/3 STW, NEMA 5-15 plug, (3) NEMA 5-15 receptacles; 25'
50112BA (black)	E-String; 12/3 STW, NEMA 5-20 plug, (6) NEMA 5-15 receptacles; 50'
50116BA (black)	Orchestra String; 12/3 STW, NEMA 5-20 plug, (6) NEMA 5-15 receptacles; 23' 4"
59233B (black)	Two Circuit, 220 VAC E-String; 12/4 STW, NEMA L14-20 plug/thru, (4) NEMA 5-15 receptacles; 33'



Application	Recommended Version	Weight	Spacing	Catalog No.
Music stand lights in orchestra pits	12 AWG, (6) receptacles; 23' 4"; Black	7 lbs.	4 ft. 8 in.	50116BA
Meeting rooms for laptops, projectors, phones and other equipment	12 AWG, (3) receptacles; 25'; Black	7 lbs.	8 ft. 6 in.	50123B
Photography lighting	12 AWG, (3) receptacles; 25'; Black	7 lbs.	8 ft. 6 in.	50123B
Display booths in convention centers	12 AWG, (6) receptacles; 50'; Black	15 lbs.	10 ft.	50112BA
Scenery and other construction	12 AWG, (6) receptacles; 50'; Black	15 lbs.	10 ft.	50112BA
Outdoor events	12 AWG, 220 VAC, (4) receptacles; 33'; Black	10 lbs.	8 ft.	59233B

	Accessories Catalog Number:	Description:
	50301 (black)	Adapter; NEMA 5-15, 15 Amp plug to NEMA 5-20, 20 Amp connector
50201B (black)	Tri-Tap; NEMA 5-15, 15 Amp male to (3) female receptacles	

Custom configurations are available.



powerCON® Cable Assemblies

PowerFLEX™
Cable Assemblies

powerCON® Cable Extensions



powerCON® TRUE1® Cable Extensions



Rating	Power Input	Cable	Power Output	Catalog No.
20 Amp, 2-Pole, 3-Wire, 120 VAC	Blue powerCON®	12/3 SJ00W	Gray powerCON®	PE700J-XXX-PCN
20 Amp, 120 VAC	powerCON® TRUE1	12/3 SJ00W	powerCON® TRUE1	PE700J-XXX-TRUE1

XX to specify cable length
Standard lengths are 5, 10, 15, 25, 50, 75 and 100 feet.

powerCON® TRUE1® Tee

powerCON® Tee

TRUE1® Trelco™



Power Outlet	Inlet/Feed Thru	Cable	Catalog No.
(3) 20 Amp TRUE1® Females (Receptacles)	20 Amp TRUE1® Male (Inlet)	N/A	4123JEG-TRUE1
NEMA 5-20 20 Amp, 120 VAC Lex-Loc	20 Amp, 120 VAC, powerCON® TRUE1®, male/female	12/3 SJ00W-A, 18"	A5039-X520C
20 Amp Blue powerCON®	20 Amp, 120 VAC, powerCON® TRUE1®, male/female	12/3 SJ00W-A, 18"	A5039-PCNB
NEMA 5-20 20 Amp, 120 VAC Lex-Loc	20 Amp, 120 VAC, powerCON®, Blue/Grey panel mount	12/3 SJ00W-A, 18"	A5043-X520C
20 Amp TRUE1 Female (Connector)	20 Amp, 120 VAC, powerCON®, Blue/Grey panel mount	12/3 SJ00W-A, 18"	A5043-TRUE1C

Custom configurations are available.

powerCON® Cable Assemblies

For interconnecting LED and intelligent lighting

PowerFLEX™
Cable Assemblies

EverGrip® powerCON® Adapters



EverGrip® powerCON® Couplers



Rating	Length	Gauge	Power Inlet	Power Outlet	Catalog No.
20 Amp, 120 VAC	1 ft.	12/3 SJ00W	Neutrik® NAC3MX-W-TOP	Neutrik® NAC3MPB	A5037
20 Amp, 120 VAC	1 ft.	12/3 SJ00W	Neutrik® NAC3FPB	Neutrik® NAC3FX-W-TOP	A5038
20 Amp, 120 VAC	1 ft.	12/3 SJ00W	Neutrik® NAC3MPA	Neutrik® NAC3FPA	A5033

Custom configurations are available.



EverGrip[®] Molded Motor Control Cable Extensions

Socapex[®] and Quarter Turn Control Extensions for Hoists and Motors

PowerFLEX[™]
Cable Assemblies



Features & Benefits:

- Thermoplastic material bonds the cable to the connector to provide superior strain relief and maintain secure terminations
- Proprietary connector design prevents pins and contacts from pushing back into housing, extending cable assembly life
- Proprietary connector construction encapsulates conductors to prevent short circuits due to stray conductors
- Oil-resistant thermoplastic elastomer overmold absorbs impact, protects internal conductors and provides an insulated gripping surface
- Locking ring is overmolded for impact resistance and provides a firm gripping surface when mating and unmating connectors
- Molded strain relief extends cable life
- Supportive wire mesh bus drop cable grip transfers stress from suspended cables away from connectors
- Connector arrows indicate proper mating alignment

Description:

Lex Products Patent Pending and Award Winning EverGrip[®] overmold technology provides enhanced safety and durability for critical motor and hoist operations required in entertainment scenery and rigging applications. EverGrip[®] connectors and extensions feature a two-part molding process to help prevent internal damage and provide exceptional strain relief that transfers pressure away from the connectors. Lex Products EverGrip[®] molded motor control cable extensions are available in 7 and 14 pin quarter turn configurations as well as a 7 pin Socapex[®] compatible configuration.

Specifications:

Rating	Configuration	Cable	Catalog No.
10 Amp, 250 VAC	7 pin quarter overmolded connectors	16 AWG, 7 conductor SOOW	EGME16/7-XXX
10 Amp, 250 VAC	14 pin quarter overmolded connectors	16 AWG, 7 conductor SOOW	EGME16/7-P14-XXX
10 Amp, 250 VAC	7 pin Socapex overmolded connectors	16 AWG, 7 conductor SOOW	EGME16/7-XXX-SX
10 Amp, 250 VAC	7 pin Socapex overmolded connectors	Heavy-duty 14 AWG, 7 conductor SOOW	EGME14/7-XXX-SX
XXX to specify cable length			
AVAILABLE IN STOCK LENGTHS FOR IMMEDIATE SHIPMENT			

Custom configurations are available.

Extensions / Two-fers

20 Amp Assemblies



20 Amp Stage Pin Extension

Rating	Male Connector	Cable	Female Connector	Catalog No.
20 Amp, 120 VAC	Bates®, 20 Amp, 2-Pole, 3-Wire Stage Pin	12/3 SJ00W-A	Bates®, 20 Amp, 2-Pole, 3-Wire, Stage Pin	BE7000J-XXX
20 Amp, 120 VAC	Bates®, 20 Amp, 2-Pole, 3-Wire Stage Pin	12/3 S00W-A	Bates®, 20 Amp, 2-Pole, 3-Wire, Stage Pin	BE7000-XXX



Two-Fers and Three-Fers

Rating	Male Connector	Cable	Female Connector	Catalog No.
20 Amp, 120 VAC	Blunt	12/3 SJTOW-A Molded Y	Blunt	3123J
20 Amp, 120 VAC	Bates®, 20 Amp, 2-Pole, 3-Wire Stage Pin	12/3 SJTOW-A Molded Y	(2) Bates®, 20 Amp, 2-Pole, 3-Wire, Stage Pin	3123J-SP
15 Amp, 120 VAC	NEMA 5-15, 15 Amp, 2-Pole, 3-Wire, All Black	12/3 SJTOW-A Molded Y	(2) NEMA 5-15, 15 Amp, 2-Pole, 3-Wire	3123J-515
20 Amp, 250 VAC	NEMA L6-20, 20 Amp, 2-Pole 3-Wire, locking	12/3 SJTOW-A Molded Y	(2) NEMA L6-20, 2-Pole, 3-Wire, All Black	3123J-L620

Custom configurations are available.

Extensions / Adapters

PowerFLEX™
Cable Assemblies



Features & Benefits:

- Reduces cable tangling and clutter without the need for banding
- Simplifies interconnection between LEDs, Moving Lights, Power Supplies, etc.
- Common jacket prevents separation of individual cables
- 2'0" Power and Data Tails



PowerData™ Cable ("Super Stinger")

Type	Power Connectors	Cable	Data Connectors	Catalog #
PowerData Extensions	Customer Specified	(3) 12 AWG / (4) 24 AWG shielded pairs; PVC jacket material	Customer Specified	PDE-XXX-YY-ZZ
Standard Variations Listed Below				
PowerData Extension	Neutrik® powerCON® TRUE1 devices	5'0", (3) 12 AWG / (4) 24 AWG shielded pairs; PVC jacket material	Neutrik® 5-pin XLR (black/gold) devices	PDE-005-GH-EM
PowerData Extension	Neutrik® powerCON® TRUE1 devices	10'0", (3) 12 AWG / (4) 24 AWG shielded pairs; PVC jacket material	Neutrik® 5-pin XLR (black/gold) devices	PDE-010-GH-EM



Shielded XLR Data Cables

Type	Male Connectors	Cable	Female Connector	Catalog No.
3 Pin XLR	3 Pin XLR Neutrik® (Black/Gold)	2 pair & shield, 22 AWG black polyurethane jacket	3 Pin XLR Neutrik® (Black/Gold)	DMX-3P-XXX
4 Pin XLR	4 Pin XLR Neutrik® (Black/Gold)	1 pair & shield, 22 AWG; (2) 14 AWG black polyurethane jacket	4 Pin XLR Neutrik® (Black/Gold)	CC-4P-XXX
5 Pin XLR	5 Pin XLR Neutrik® (Black/Gold)	2 pair & shield, 22 AWG black polyurethane jacket	5 Pin XLR Neutrik® (Black/Gold)	DMX-5P-XXX
6 Pin XLR	6 Pin Switchcraft® Compatible Neutrik®	3 pair & shield, 22 AWG black polyurethane jacket	6 Pin Switchcraft® Compatible Neutrik® (Black/Gold)	RFU-XXX-MM

XX to specify cable length

Custom configurations are available.

Data Cable	PowerFLEX™ Cable Assemblies
-------------------	---------------------------------------



Cat 6 Shielded Touring Cable

Type	Cable	Catalog No.
Install grade RJ45	4 pair 24 AWG industrial grade	CAT6A-XXX
Install grade etherCON®	4 pair 24 AWG industrial grade	CAT6A-EC-XXX
Tour grade RJ45	4 pair 23 AWG industrial grade	CAT6AT-XXX
Tour grade etherCON®	4 pair 23 AWG industrial grade	CAT6AT-EC-XXX
XX to specify cable length		



4 Channel Cat 5e Ethernet Snake

Description	Connectors	Channel Colors	Catalog No.
4 channel Cat 5e cable set with (4) RJ45 connectors with strain relief on each end	RJ45 with strain relief on each end	Black, Gray, Blue, Purple	ES4RJ45-XXX
XX to specify cable length *etherCON® variation available upon request			



DataSNAKE™ DMX Multi-Cables - DMAX Version

For interconnecting LED lighting and portable speakers

Male/Female Connectors	Cable	Catalog No.
(9) 5 pin XLR Neutrik® black/gold 5 pin male/female connectors	(2) twisted pair 22 AWG stranded tinned copper conductors with (2) Kevlar® strength members for each circuit	DMAX-9A-XXX
XX to specify cable length		

Custom configurations are available.

Audio Cables

PowerFLEX™
Cable Assemblies

3-Pin XLR Cable



XLR Cables

Catalog Number	Item Description	A Connector	Cable	B Connector
LPA-XLR-20/2-xxx	Lex Pro Audio XLRM-F 20/2 Cable	3-Pin XLRM	Lex Pro Audio 20/2 Microphone Cable	3-Pin XLRF
xxx Indicates Cable Length		Standard and Custom Lengths Available		

4-Pin SpeakON®



8-Pin CA-COM®



Speaker Cables

Catalog Number	Item Description	Male Connector	Cable	Female Connector
LPA-SPK12/2-xxx	Lex Pro Audio NL4 Speaker Cable	4-Pin speakCON	Lex Pro Audio 12/2 Speaker Cable	4-Pin speakCON
LPA-SPK12/4-xxx	Lex Pro Audio NL4 Speaker Cable	4-Pin speakCON	Lex Pro Audio 12/4 Speaker Cable	4-Pin speakCON
LPA-SPK12/8-xxx	Lex Pro Audio NL8 Speaker Cable	8-Pin speakCON	Lex Pro Audio 12/8 Speaker Cable	8-Pin speakCON
LPA-SPK12/8-C8-xxx	Lex Pro Audio CA-COM8 Speaker Cable	8-Pin CACOM	Lex Pro Audio 12/8 Speaker Cable	8-Pin CACOM
xxx Indicates Cable Length		Standard and Custom lengths available		

Custom configurations are available.



PowerRAMP® Cable Protectors

Crossovers, 45° Left and Right Turn Units and End Boots

PowerRAMP®
Cable Protectors



Features & Benefits:

- Heavy duty, non-conductive polyurethane construction provides safe crossing for pedestrians and vehicles while protecting electrical cables and hose lines
- Rugged industry standard connectors with exclusive “slip notch” friction release design provides easy mating and un-mating
- Mates with major cable protector brands and products
- 5-channel design can accommodate up to 1.25 inch diameter cables and hoses
- 1.625 inch wide center channel allows for up to #2 AWG 5-wire banded sets
- Exclusive tread design provides excellent traction
- Hinged lid provides easy access for insertion and removal of cables and hoses
- Made from UV stabilized material for prolonged use in direct sunlight
- High-visibility blue lid and black base
- Company name or logo can be molded into lid of Crossover Cable Protector for easy identification

Typical Application:

Protects cables and hoses from damage when run across roads, parking lots, sidewalks and pathways, providing safe crossing for pedestrian and vehicle traffic.

Description:

Heavy duty, 5-channel, modular cable protector with hinged lid and rugged industry standard connectors can be easily interconnected to protect cables of any length or mate with 45° left and right turn units and end boots to provide alternate configurations for design flexibility.

Catalog No.	Descriptions	(A) Length	(B) Width	(C) Height	(D) Channel Height	(E) Channel Width	Weight	Channels
PRC-5*	5-Channel Crossover	35.5 in./901.7 mm	19.75 in./634 mm	2 in./51 mm	(5) 1.25 in./32 mm	(4) 1.25 in./32 mm (1) 1.625 in./41.3 mm	27 lbs./12.2 kg	5
PREB-5	5-Channel End Boots (Pair M/F)	Male: 3.75 in./95.25 mm Female: 7 in./177.8 mm	19.75 in./634 mm	2 in./51 mm	(5) 1.25 in./32 mm	(4) 1.25 in./32 mm (1) 1.625 in./41.3 mm	Male: 2.5 lbs./1.1 kg Female: 4.5 lbs./2 kg	5
PRTL-5*	5-Channel 45° Left Turn	25 in./634 mm	19.75 in./634 mm	2 in./51 mm	(5) 1.25 in./32 mm	(4) 1.25 in./32 mm (1) 1.625 in./41.3 mm	15.5 lbs./7 kg	5
PRTR-5*	5-Channel 45° Right Turn	25 in./634 mm	19.75 in./634 mm	2 in./51 mm	(5) 1.25 in./32 mm	(4) 1.25 in./32 mm (1) 1.625 in./41.3 mm	15.5 lbs./7 kg	5

* - Add “-BK” after catalog number for black lid and black base



PowerRAMP® CableGuard™

Single Channel Cable Cover

PowerRAMP®
Cable Protectors



Features & Benefits:

- Provides safe, convenient protection for smaller portable cords, cables and hoses
- Suitable for indoor or outdoor applications
- Cables and hoses may be laid out and the cover dropped over the lengths
- Easily connected together to protect any length of cable
- Single channel design can accommodate up to 0.78 inch diameter cables and hose
- Unique tread pattern design and anti-slip pads on the underside provide maximum grip
- Supplied as standard with either a highly visible red or black color
- Made from UV stabilized material for prolonged use in direct sunlight

Description:

Low-profile, single-channel cable cover for indoor or outdoor use with pedestrian traffic and low-volume vehicular traffic that can be easily interconnected to protect cables of any length.

Typical Application:

For protecting single, small cables, cords or hoses up to 0.78" in diameter from damage when placed across roads, parking lots, sidewalks and pathways, providing safe crossing for pedestrian and vehicle traffic.

Catalog No.	Length	Width	Height	Channel Height	Channel Width	Weight	Load Capacity
CC1-12/38-yy*	30.10 in./765 mm	5.23 in./133 mm	0.86 in./22 mm	0.47 in./12 mm	1.49 in./38 mm	2.42 lbs./1.10 kg	25,000 lbs. per axle/ 11.5 tons
CC1-20/45-yyy*	30.3 in./770 mm	8.66 in./220 mm	1.25 in./32 mm	0.78 in./20 mm	1.77 in./45 mm	5.51 lbs./2.50 kg	25,000 lbs. per axle/ 11.5 tons

*Add -RED or -BLK at the end of part number to specify color



Lex Products EverGrip® Cable Retrofit Service Program

PowerFLEX™
Cable Assemblies

Overview

EverGrip® cable retrofits for 19-pin multi-cable, 7 and 14 pin motor control and ARRI ballast extensions, including the removal of original connectors, and the installation of clear heat shrink to each cable end. New molded connectors are then pinned to the cable ends and a continuity test is performed prior to the EverGrip® overmold procedure. After connectors are overmolded, the cable receives a final continuity test.



Catalog Number	Description	Parts Replaced
EG-RETROFIT	Retrofit a pair of EverGrip LSC19 connectors to customers' existing 12/14, 12/18, 14/14 or 16/18 cables*	Replace male and female connectors with overmolded LSC19 connectors
EG7P-RETROFIT	Retrofit a pair of EverGrip 7 pin quarter turn motor control connectors to customers' existing 16 AWG/7 conductor cable	Replace male and female connectors with overmolded 7 pin quarter turn connectors
EG14P-RETROFIT	Retrofit a pair of EverGrip 14 pin quarter turn motor control connectors to customers' existing 16 AWG/7 conductor cable	Replace male and female connectors with overmolded 14 pin quarter turn connectors
EG7PSX-RETROFIT	Retrofit a pair of EverGrip 7 pin overmolded Socapex compatible connectors to customers' existing 16 AWG/7 conductor cable or heavy-duty 14 AWG/7 conductor cable	Replace existing male and female connectors with overmolded 7 pin Socapex compatible connectors
EG-RETROFIT-ARRI 575W	Retrofit a pair of EverGrip 575W ballast connectors to customers' existing 14 AWG/7 conductor SOOW cable*	Replace male and female connectors with overmolded 575W ballast connectors
EG-RETROFIT-ARRI 2.5KW	Retrofit a pair of EverGrip 2.5kW ballast connectors to customers' existing 12 AWG/7 conductor SOOW cable*	Replace male and female connectors with overmolded 2.5kW ballast connectors
EG-RETROFIT-ARRI 6KW	Retrofit a pair of EverGrip 6kW ballast connectors to customers' existing 4/2, 8/1, 14/4 TPE cable*	Replace male and female connectors with overmolded 6kW ballast connectors
EG-RETROFIT-ARRI 12KW	Retrofit a pair of EverGrip 12kW ballast connectors to customers' existing 4/2, 8/1, 14/4 TPE cable*	Replace male and female connectors with overmolded 12kW ballast connectors

Retrofit Cable Standard Lead Times (business days)				
Order Quantity	1-15	16-30	31-50	51-100
Standard Lead Times	5 Days	6 Days	7 Days	8 Days

Ordering Procedure

- Contact a Lex Products sales representative at 800.643.4460 for pricing, to request a repair merchandise authorization (RMA) and lead time information.
- A purchase order and RMA are required to complete order processing.
- Customer is responsible for inbound and outbound freight charges.

*Lex Products EverGrip molded 19 pin cable assemblies and ARRI ballast extensions feature a 5-year warranty that covers molded connector failure resulting from pushed pins, broken conductors and broken ground rings within the connector, or other defects of material or workmanship. See www.lexproducts.com/about/lex-sales-policies for warranty details.



Lex Products Cable Repair Service Program

PowerFLEX™
Cable Assemblies

Overview

Standard cable repair services include inspection of the cable jacket and conductors for cuts, as well as a continuity test. Repairs include heavy wall heat shrink application for jacket cuts, replacement of all connectors and terminals, and tape and label replacement (if replaceable). Clear heat shrink is installed to each cable end. All cables receive a final continuity test.

Standard cable repair services carry a 1-year limited warranty.



Catalog Number	Description	Parts Replaced
RS MULTI-CABLE	Repair service 19 pin multi-cable	Male and female 19 pin connectors
RS BREAK IN/OUT	Repair service break-in/break-out	Male and female 19 pin connectors and all output connectors
RS CAM EXTENSION	Repair service Cam feeder extension 1/0-4/0	Male and female 1/0-4/0 Cam connectors (black)
RS BANDED CAM EXTENSION	Repair service feeder banded Cam extension	Male and female Cam connectors #2 all colors and banding if needed
RS CAM FEMALE TAIL	Repair service female Cam tails 1/0-4/0	Female Cam 1/0-4/0 Cam connector (black)
RS CAM MALE TAIL	Repair service male Cam tails 1/0-4/0	Male Cam 1/0-4/0 Cam connector (black)
RS CAM FEMALE TAIL RT	Repair service female Cam tails 1/0-4/0 w/ ring terminal	Female Cam 1/0-4/0 Cam connector (black) & ring terminal PN 4-0-13R1
RS CAM MALE TAIL RT	Repair service male Cam tails 1/0-4/0 w/ ring terminal	Male Cam 1/0-4/0 Cam connector (black) & ring terminal PN 4-0-13R1
RS 7 PIN QTR TURN CABLE	Repair service 7 pin quarter-turn motor control cable	7 pin quarter turn male and female connectors
RS 14 PIN QTR TURN CABLE	Repair service 14 pin quarter-turn motor control cable	14 pin quarter turn male and female connectors
RS QUAD STRINGER	Repair service quad stringer	All duplexes, all GFCl's and all covers; plugs, boxes and connectors if needed

Ordering Procedure

- Contact a Lex Products sales representative at 800.643.4460 for pricing, to request a repair merchandise authorization (RMA) and lead time information.
- A purchase order and RMA are required to complete order processing.
- Some repairs may deviate from standard procedures and may require an additional evaluation repair process at an additional cost. Customer will be contacted for authorization.
- Customer is responsible for inbound and outbound freight charges.



Cable Labeling Services

Improve cable identification, inventory management, and deter theft with cable labeling.

PowerFLEX™
Cable Assemblies

PowerTAGS™ - Cable Markers

Brightly colored, durable thermoplastic cable markers allowing for easy identification of cable assemblies from a distance. RFID chips, barcodes, or custom labels may be inserted behind a clear window insert for added security and inventory management.

• Features and Benefits

- Ruggedly designed to withstand high impact and extreme temperatures
- Built-in clear window allows for barcodes, custom labeling, or customer supplied RFID chips
- Rope ties may be added for bundling cable coils

• Available Colors

- White
- Red
- Orange
- Yellow
- Blue
- Custom Colors Are Available

Available for a variety of PowerFLEX™ cables, ask your LEX Sale representative for more details.



PowerTAGS™ - Cable Markers

Self-Laminating Labels

Extremely durable custom, self-laminating labels under clear heat shrink.

- Label Material: Translucent vinyl
- Printing: Black thermal transfer
- Label Printable Area:
 - 2" wide x 1-1/2" high: Feeder cable, Multi-cable (6 cct.), Stage Pin extensions, NEMA extensions, speakCON assemblies, Fly cable, DataSnake, Cat5 Snake
 - 2" wide x 1/2" high: DMX512 cable, color changer cable, RFU cable, Cat5 cable

• Available Colors

- White
- Red
- Orange
- Yellow
- Green
- Blue
- Violet



Vinyl Tape

Extremely durable vinyl tape under clear heat shrink.

- Label Material: 1/2 inch wide opaque vinyl
- Printing: N/A
- Tape Colors:
 - White
 - Red
 - Orange
 - Yellow
 - Green
 - Blue
 - Violet

Temperature Range: -60F to +200F

SLAM Solutions
Atención en español para todo Latinoamérica
Assistência em Português para o Brasil
www.corpslam.com informes@corpslam.com
WhatsApp +52 55 5416 0517



www.lexproducts.com
info@lexproducts.com
Toll Free: 800.643.4460
Fax: 203.363.3742