



We Deliver the Power™

Lex Products Corporation
15 Progress Drive
Shelton, CT 06484
203.363.3738
203.363.3742 Fax

Lex West
11847 Sheldon Street
Sun Valley, CA 91352
818.768.4474
818.768.4040 Fax

www.lexproducts.com
info@lexproducts.com
800.643.4460

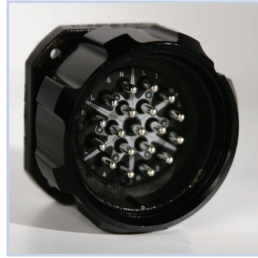
Lex Products LSC19 Connectors

19 Pin, 6-Circuit Lighting Connectors

PowerPARTS™
Wiring Devices



Male Inline



Male Panel Mount



Female Inline



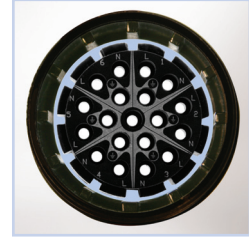
Female Panel Mount



Spider Version Inline for use with Break-Ins and Break-Outs

Features & Benefits

- *Proprietary anti-rotation design features 12 interlocking keys to help prevent spinning of the interior within the male and female housings*



- *Prevents mis-alignment of male and female circuit conductors and unmateable or mismatched connections*
- *Helps prevent broken conductors and loose or damaged ground rings*
- *UL Recognized at 23 Amps, 600 VAC*
- *Each circuit can carry up to a maximum of 23 Amps continuous load*
- *“Tempered Spring” female contacts maintain constant pin pressure to help ensure low resistance connections*
- *Machined aluminum housing with hard black anodized finish provides enhanced durability*
- *Silver plated brass contacts for high conductivity*
- *Interiors are clearly and permanently marked on front and back for easy wiring and circuit identification*

Style	Rating	Male Inline	Female Inline	Cable Diameter Range	Male Panel Mount	Female Panel Mount
Crimp	23 Amp, 600 VAC	LSC19-LMC-29	LSC19-LFC-29	0.55"-1.00"	LSC19-PMC	LSC19-PFC
Solder	23 Amp, 600 VAC	LSC19-LMS-29	LSC19-LFS-29	0.55"-1.00"	LSC19-PMS	LSC19-PFS
PG 36 Version large entry - crimp	23 Amp, 600 VAC	LSC19-LMC-36	LSC19-LFC-36	0.95"-1.25"	N/A	N/A
PG 36 Version large entry - solder	23 Amp, 600 VAC	LSC19-LMS-36	LSC19-LFS-36	0.95"-1.25"	N/A	N/A
Spider Version (Break-In/Break-Out) crimp contact	23 Amp, 600 VAC	LSC19-LMC-SPR	LSC19-LFC-SPR	(6) 12/3 SJT or SJTO or (6) 14/3 SJT or SJTO	N/A	N/A

Lex LSC19 Connectors

Accessories and Specifications

PowerPARTS™
Wiring Devices



Grounding Rings
LSC19-GR



Panel Mount Receptacle
Weather Resistant Self Closing Cover
LSC19-WPFC



Crimp Contact Insertion Tool
LSC19-INS



Replacement Contacts
Crimp Female LSC19-SC
Male LSC19-PC
Solder Female LSC19-SS
Male LSC19-PS



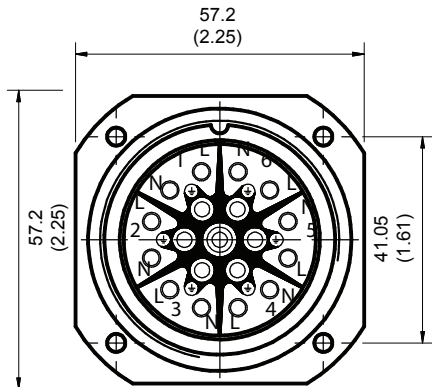
Crimp tool LSC19-CMP



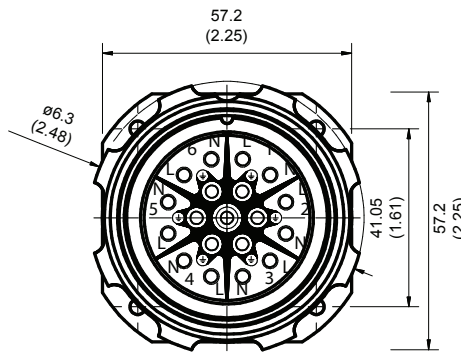
Crimp Contact Removal
Tool LSC19-REM

Panel Mount Dimensions

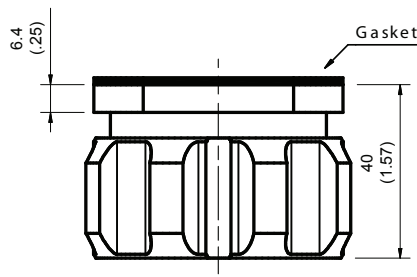
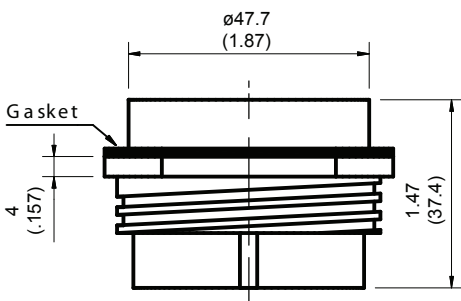
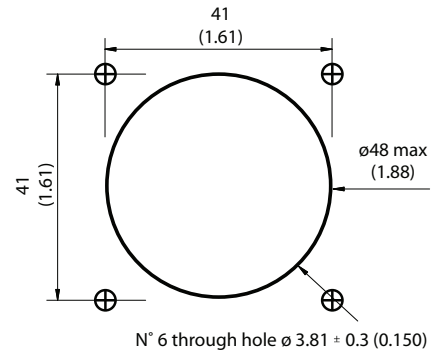
Male Panel Mount



Female Panel Mount



Panel Cut Out



Specifications

Voltage Rating	600 VAC
Current Rating	23 Amps
Operating Temp	-55° to +60° degrees C
Ingress Protection	IP67 watertight when mated
Shells	Machined Aluminum
Finish	Hard Black Anodized
Insert	Silicone
Cable Entry	Standard PG29 0.55" to 1.00" PG36 Version 0.95" to 1.25"
Conductor Size	#12 - #16 AWG
Contacts	Silver Plated Brass